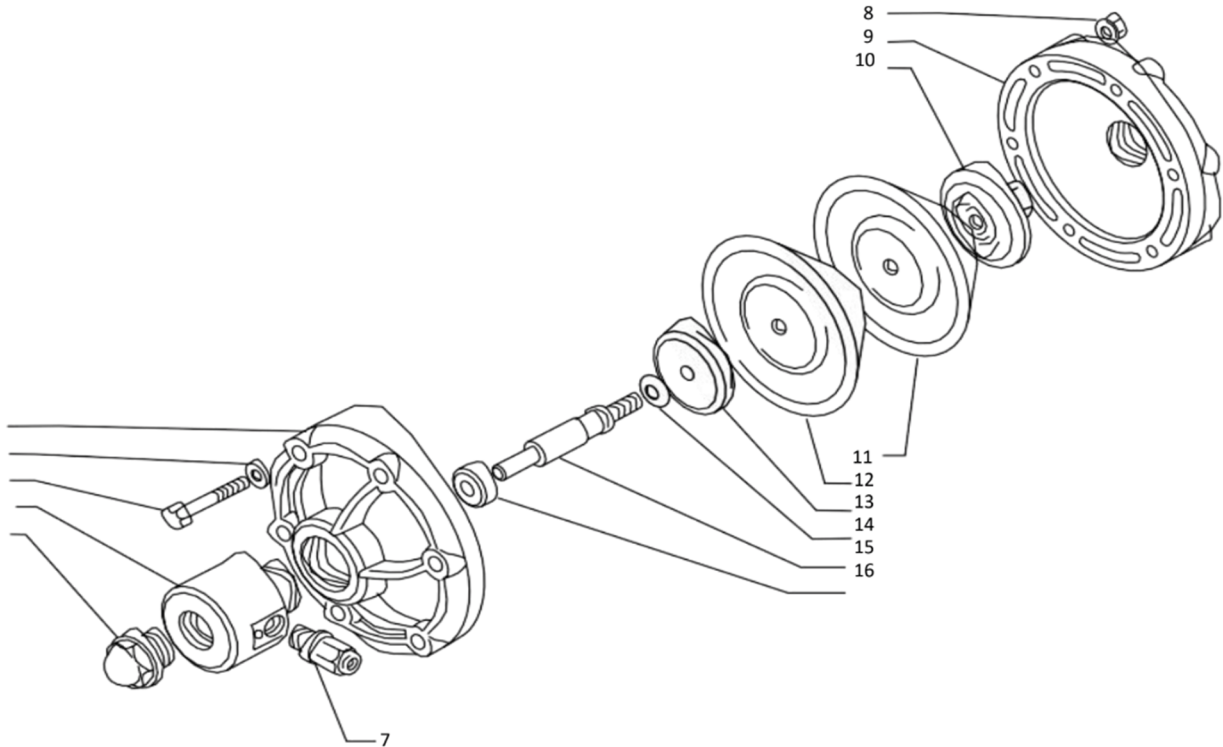




**BOMBAS ESPECIALES  
TORRES**

# DESPIECE BET AMFLUX 51



| POS.<br>POS. | DESCRIPCIÓN             | DESCRIPTION         |
|--------------|-------------------------|---------------------|
| 1            | Cuerpo lado aire        | Air side housing    |
| 2            | Arandela plana          | Washer              |
| 3            | Tornillo                | Screw               |
| 4            | Válvula                 | Valve               |
| 5            | Protección transparente | Transparent cover   |
| 7            | Racor                   | Right connector     |
| 8            | Tuerca                  | Bolt                |
| 9            | Cuerpo lado producto    | Liquid side housing |
| 10           | Tuerca de bloqueo       | External cap        |
| 11           | Membrana externa        | External diaphragm  |
| 12           | Membrana interna        | Internal diaphragm  |
| 13           | Platina interna         | Internal cap        |
| 14           | Arandela Belleville     | Belleville washer   |
| 15           | Eje                     | Connection shaft    |
| 16           | Separador               | Spacer              |